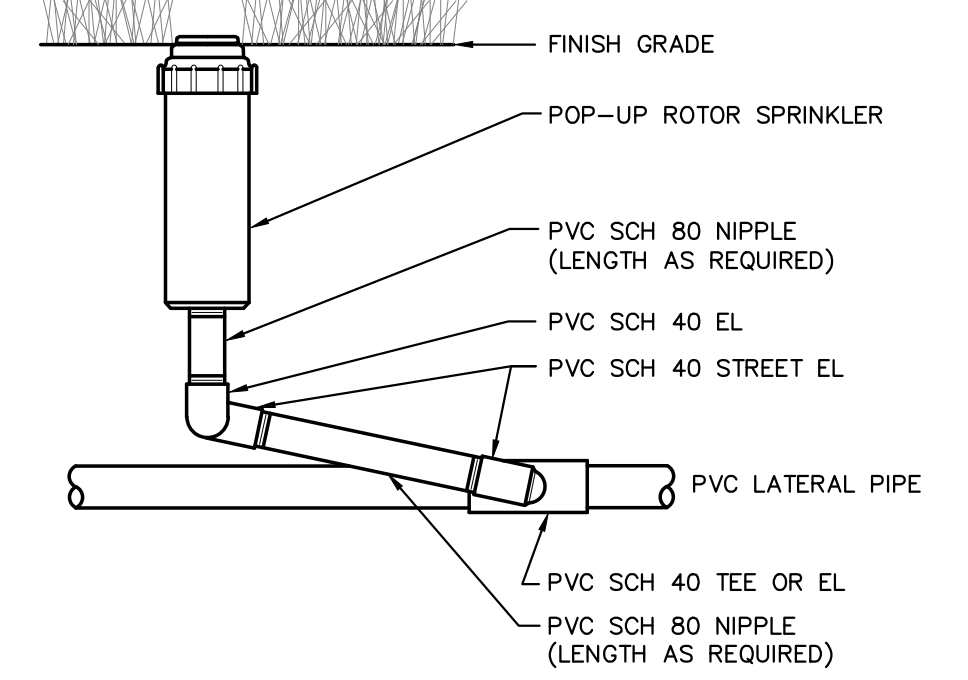
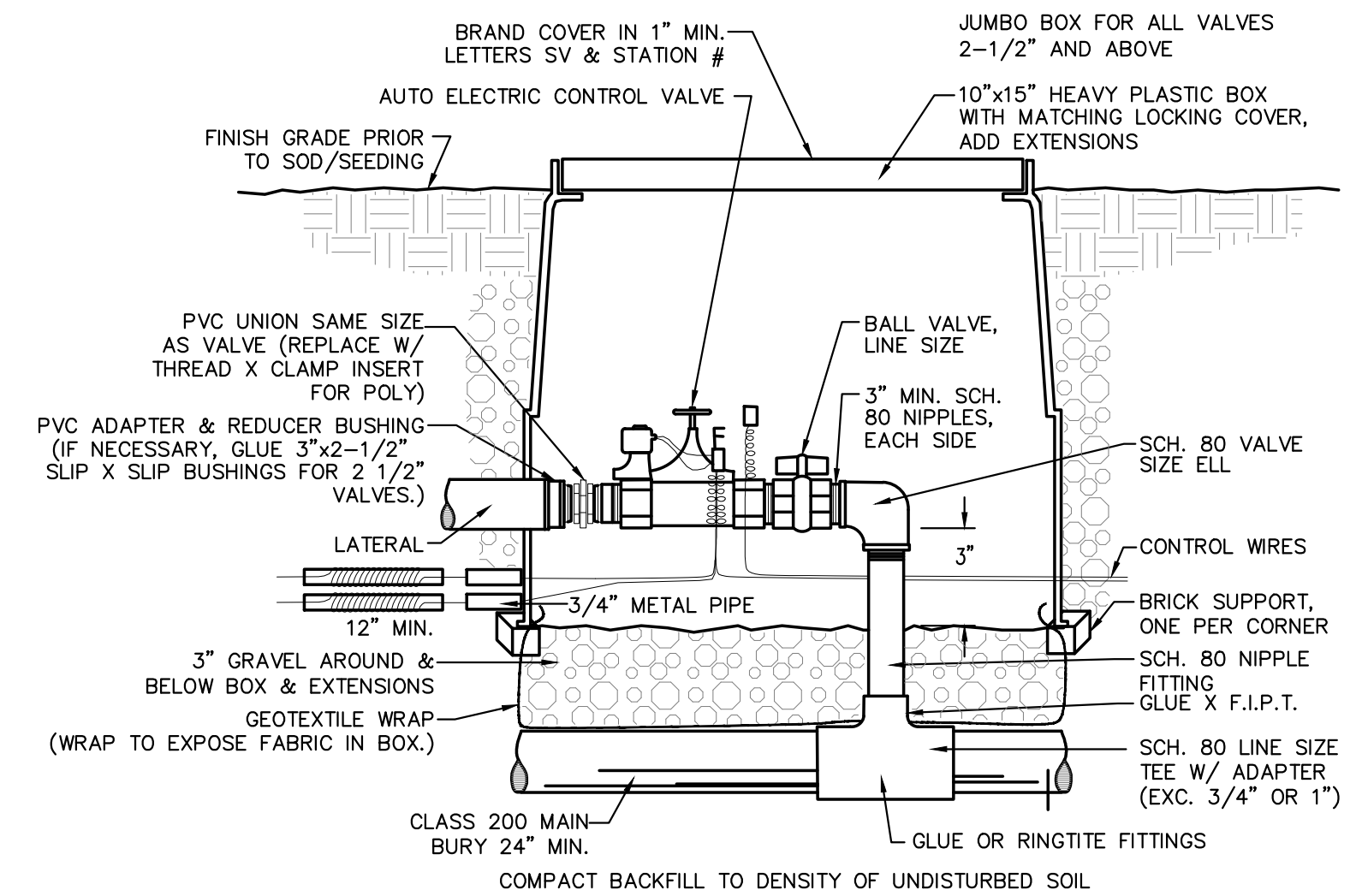


NOTE:
 1. COMPACT BACKFILL TO DENSITY OF UNDISTURBED SOIL.
 2. ALL PVC NIPPLES TO BE SCHEDULE 80

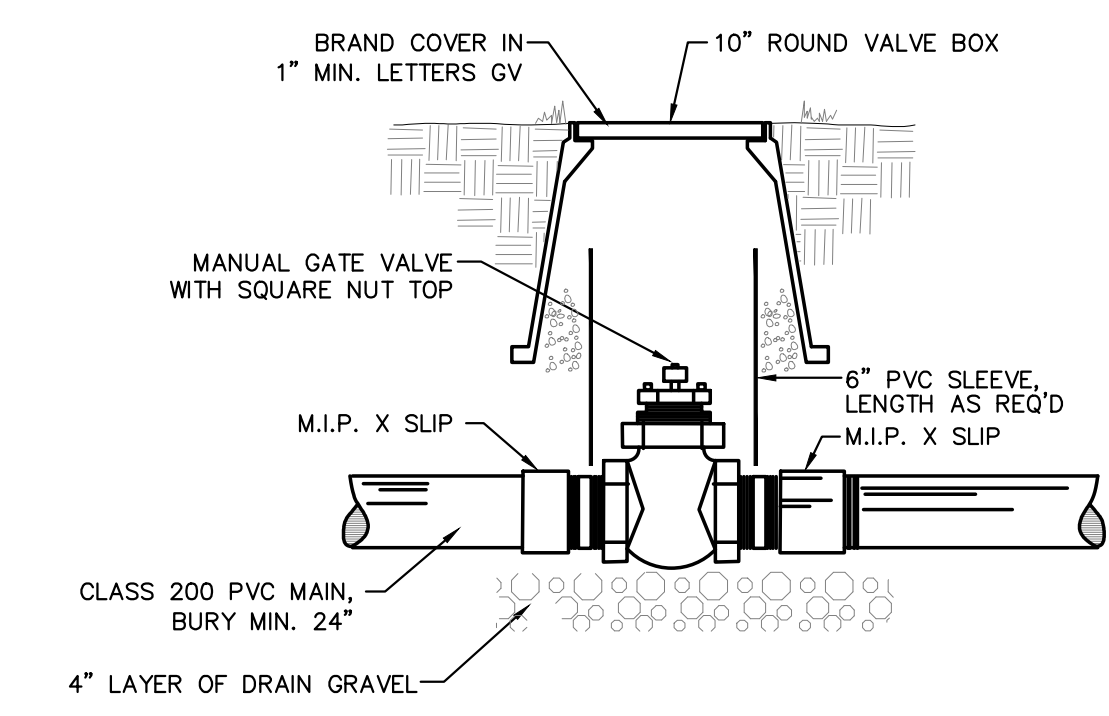
1 POP-UP SPRAY HEAD



2 POP-UP ROTOR HEAD

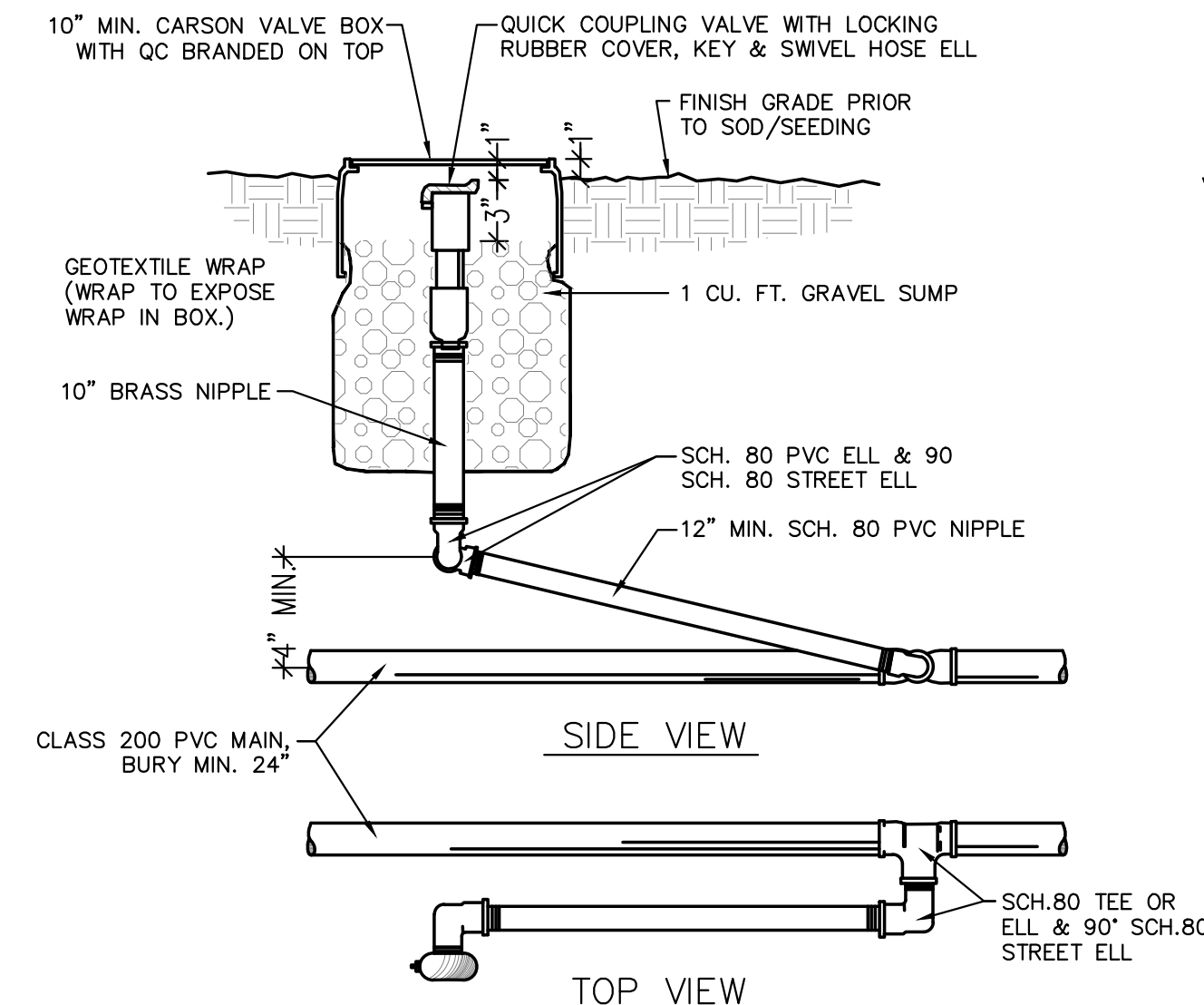


3 CONTROL VALVE

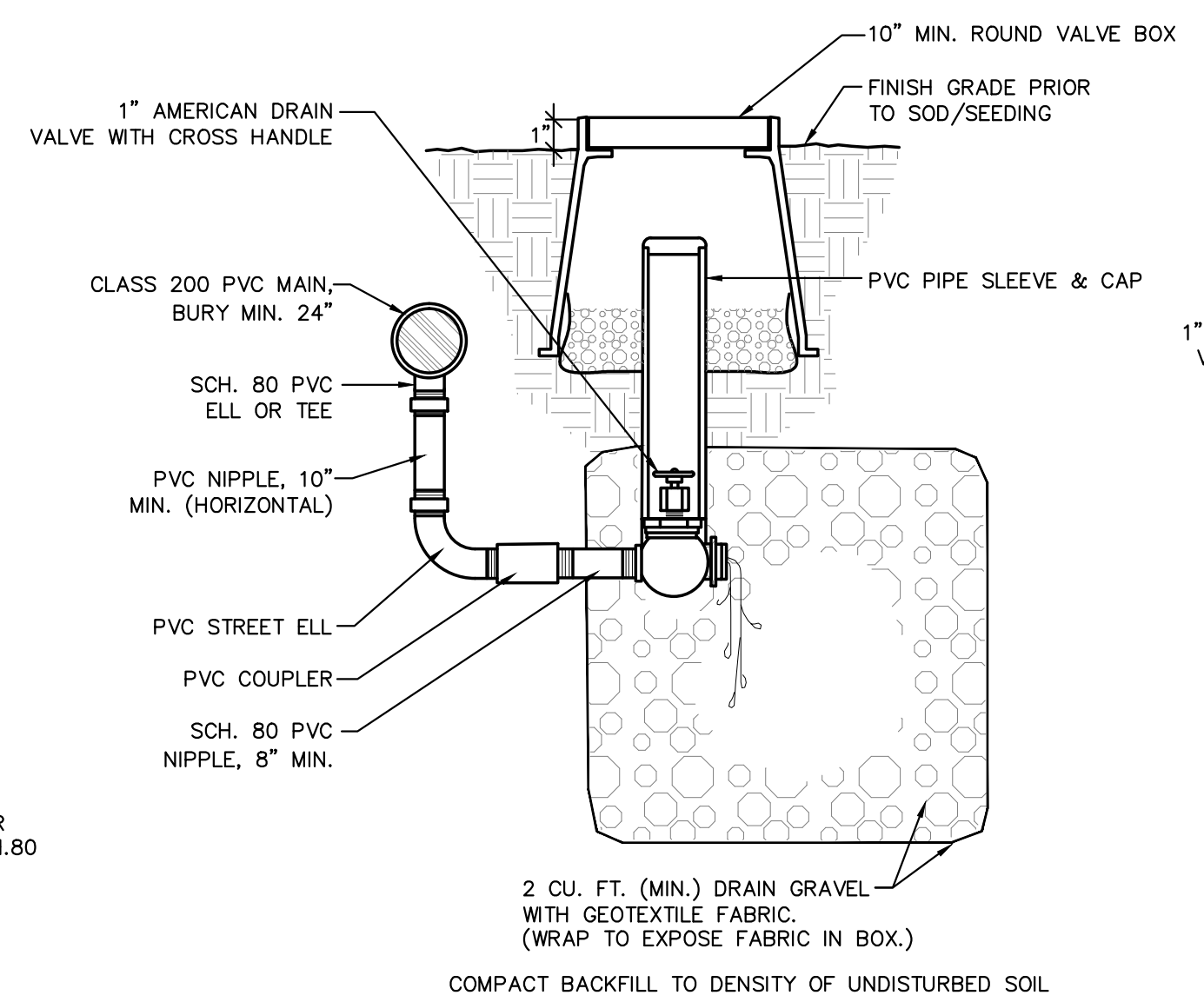


4 ISOLATION GATE VALVE

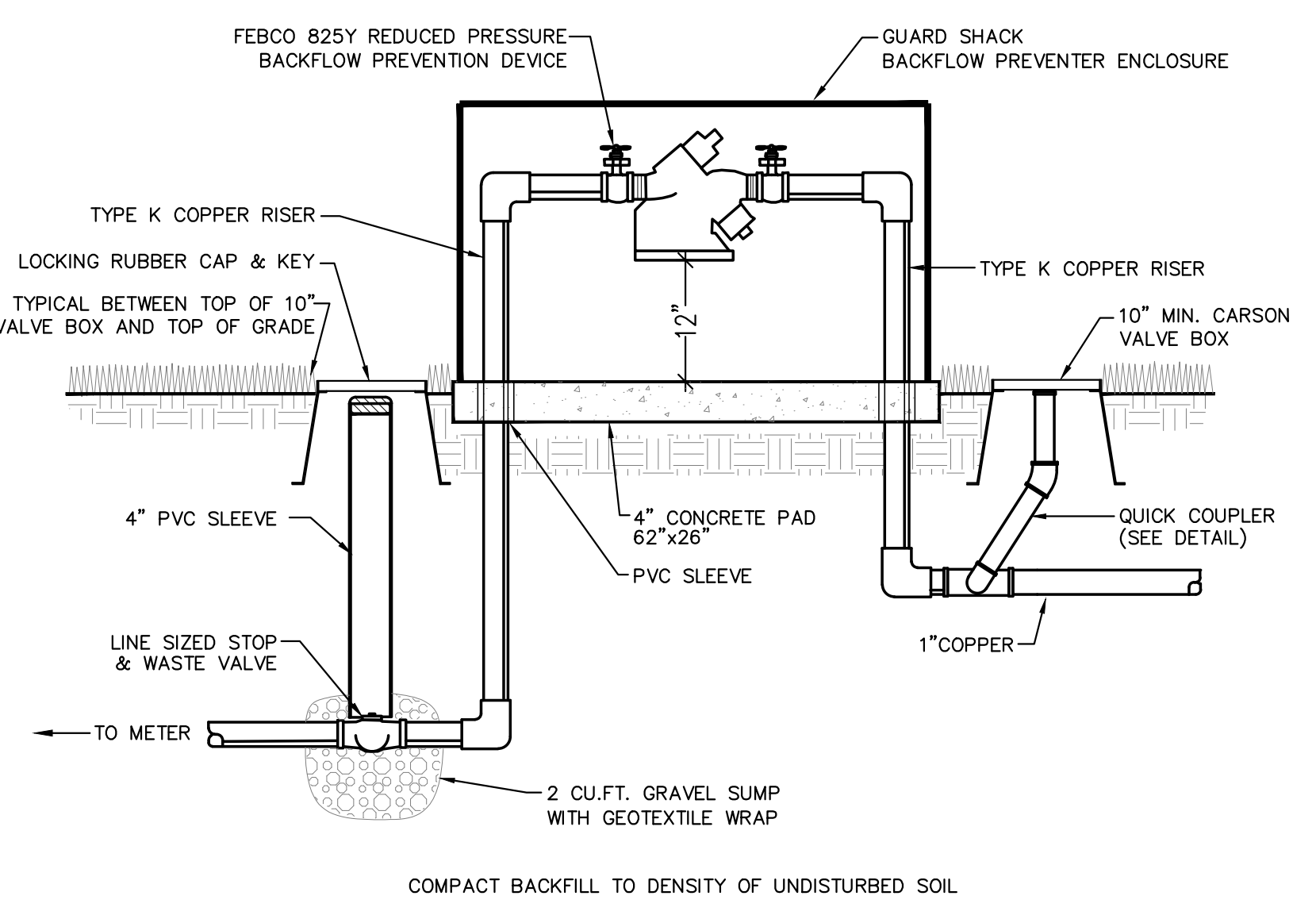
1. COMPACT BACKFILL TO DENSITY OF UNDISTURBED SOIL
 2. LOCKING BOLTS FOR VALVE COVERS TO BE STAINLESS STEEL



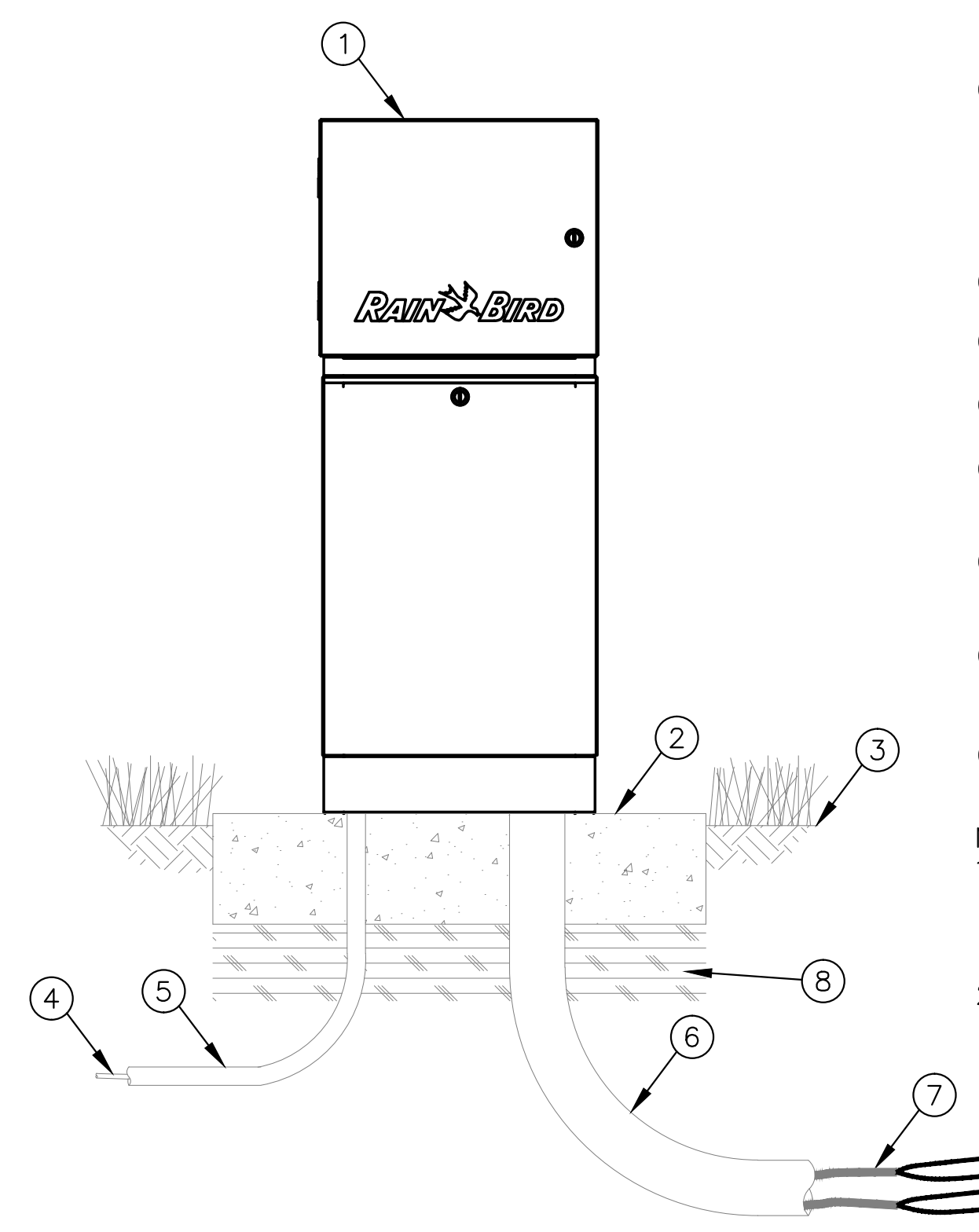
5 QUICK COUPLER



6 DRAIN VALVE



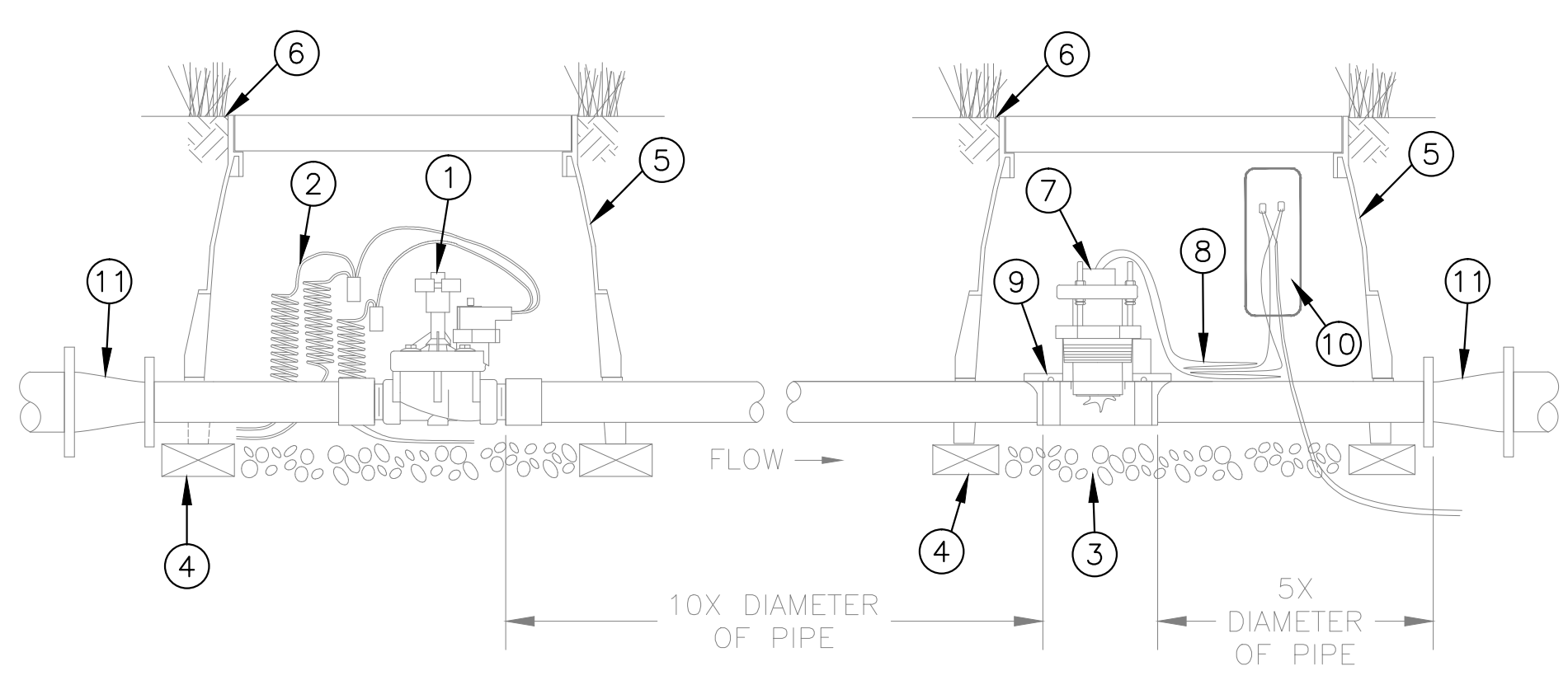
7 BACKFLOW PREVENTER



8 ESP-LXD TWO-WIRE DECODER CONTROLLER

- 1 TWO-WIRE DECODER CONTROLLER: RAIN BIRD ESP-LXD TWO-WIRE DECODER CONTROLLER WITH LXMM METAL CABINET AND LXMPED METAL PEDESTAL. INSTALL CONTROLLER, CABINET AND PEDESTAL PER MANUFACTURER'S RECOMMENDATIONS.
- 2 CONCRETE PAD: 6-INCH MINIMUM THICKNESS
- 3 FINISH GRADE
- 4 POWER SUPPLY WIRE
- 5 1-INCH SCH 40 PVC CONDUIT, FITTINGS AND SWEEP ELL FOR POWER SUPPLY
- 6 3-INCH SCH 40 PVC CONDUIT, FITTINGS AND SWEEP ELL FOR TWO-WIRE CABLE
- 7 MAXICABLE TWO-WIRE PATH TO DECODERS USE A DIFFERENT CABLE JACKET COLOR FOR EACH PATH.
- 8 COMPACTED SUBGRADE

NOTES:
 1. ESP-LXD CONTROLLER COMES WITH 50 STATIONS AVAILABLE. TWO ADDITIONAL 75 STATION ESPLXD-SUM75 MODULES MAY BE ADDED TO EXPAND THE CONTROLLER UP TO 200 TOTAL STATIONS.
 2. PROVIDE PROPER GROUNDING COMPONENTS TO ACHIEVE GROUND RESISTANCE OF 10 OHMS OR LESS.



9 IQ MASTER VALVE

- 1 NORMALLY CLOSED MASTER VALVE: RAIN BIRD PEB OR PGA NORMALLY CLOSED MASTER VALVE
- 2 WIRE TO SATELLITE CONTROLLER MASTER VALVE CIRCUIT (36-INCH EXPANSION COIL, EACH WIRE)
- 3 3-INCH MINIMUM DEPTH OF 3/4-INCH WASHED GRAVEL
- 4 BRICK (1 OF 4)
- 5 RECTANGULAR VALVE BOX WITH COVER: RAIN BIRD VB-STD
- 6 FINISH GRADE
- 7 FLOW SENSOR: RAIN BIRD FS SERIES
- 8 PE-CABLE TO FLOW SENSING EQUIPMENT AT SATELLITE CONTROLLER ASSEMBLY (36-INCH EXPANSION COIL)
- 9 DOUBLE-STRAP SADDLE
- 10 WIRE SPLICE: SEE RAIN BIRD DETAIL PE-SPLICE-TW FOR SPLICE. SEE FLOW SENSOR WIRING DETAIL FOR WIRING DIAGRAM
- 11 CONCENTRIC REDUCER

NOTE:
 1. REFER TO RAIN BIRD TECHNICAL DATA FOR FLOW SENSOR INSTALLATION BASED ON PIPE SIZING PARAMETERS.

REUSE OF DOCUMENT
 This document is the property of Irrigation Design & Consulting, Inc. The ideas and design incorporated on this document is an instrument of professional service and shall not be used for any other project without written authorization of Irrigation Design & Consulting, Inc.

DATE 6/7/2016
 DESIGNED: SN
 DRAWN: SN
 CHECKED: SN
 REVISIONS:

SHEET TITLE:
 IRRIGATION DETAILS

SCALE:
 N.T.S.
 SHEET NUMBER: