

### LOAD SUMMARY 200A SERVICE

\* EXISTING CONNECTED LOAD:

TOTAL LOAD ON EXISTING 200A SERVICE = 68,458 VA

@ 240V, 3Ø = 165.0 AMPS

NEW LOAD ADDED:

(6) 2-LAMP 32W T8 FIXTURES = 384 VA

@ 240V, 3Ø = 0.92 AMPS

(1) EMERGENCY FROG-EYE = 20 VA

@ 240V, 3Ø = 0.05 AMPS

(4) DUPLEX RECEPTACLES = 720 VA

@ 240V, 3Ø = 1.73 AMPS

MECHANICAL UNITS = 6152 VA

@ 240V, 3Ø = 14.8 AMPS

TOTAL REVISED LOAD ON EXISTING 200A SERVICE = 75,134 VA

@ 240V, 3Ø = 182.2 AMPS

\* EXISTING CONNECTED LOAD PER BASE BUILDING DRAWINGS.

### LOAD SUMMARY 600A MAIN SERVICE

\* EXISTING CONNECTED LOAD:

TOTAL LOAD ON EXISTING 600A SERVICE = 90,140 VA

@ 240V, 3Ø = 217.0 AMPS

LOAD ADDED TO PANEL A = 7216 VA

@ 240V, 3Ø = 17.5 AMPS

TOTAL REVISED LOAD ON EXISTING 600A SERVICE = 97,416 VA

@ 240V, 3Ø = 234.3 AMPS

\* EXISTING CONNECTED LOAD PER BASE BUILDING DRAWINGS.

### PANEL SCHEDULE

PANEL NO. A 06-Aug-19

LOCATION: STORAGE ROOM VOLTAGE L-L: 240  
 PROJECT: WHEATRIDGE POLICE EVIDENCE STORAGE VOLTAGE L-G: 120  
 JOB NO.: 2004-184-00 COMMENTS: TYPE: 3PH, 4W CENTER TAPPED DELTA WHICH LEG

BUS RATING: 225A S.C.RMS RATING: 10,000  
 MAIN O.C. DEVICE: 200A  
 MOUNTING: SURFACE

NOTE	CIR NO.	DEVICE	AMPS	POLE	CONNECTED VA	DEMAND FACTOR	LOAD SERVED	LOAD SERVED	DEMAND FACTOR	CONNECTED VA	POLE	AMPS	CIR NO.	NOTE
1	3	20	1	1	1440	1.00	100	100	1.00	1440	3	20	3	1
2	7	15	2	1	440	1.00	100	100	1.00	440	2	15	2	1
9	11	20	1	1	120	1.00	100	100	1.00	120	1	20	1	1
15	15	20	1	1	120	1.00	100	100	1.00	120	1	20	1	1
19	20	3	1	1	1100	1.00	100	100	1.00	1100	3	20	3	1
21	21	20	1	1	1100	1.00	100	100	1.00	1100	20	21	20	1
23	23	20	1	1	1100	1.00	100	100	1.00	1100	20	23	20	1
25	25	20	1	1	1100	1.00	100	100	1.00	1100	20	25	20	1
27	27	20	1	1	1100	1.00	100	100	1.00	1100	20	27	20	1
29	29	20	1	1	1100	1.00	100	100	1.00	1100	20	29	20	1
31	31	15	1	1	1320	1.00	100	100	1.00	1320	15	31	15	1
33	33	20	1	1	1100	1.00	100	100	1.00	1100	20	33	20	1
37	37	20	1	1	1100	1.00	100	100	1.00	1100	20	37	20	1
39	39	15	2	2	1248	1.00	100	100	1.00	1248	15	39	15	2
43	43	20	1	1	1280	1.00	100	100	1.00	1280	20	43	20	1
45	45	20	1	1	1100	1.00	100	100	1.00	1100	20	45	20	1
47	47	15	1	1	116	1.00	100	100	1.00	116	15	47	15	1
49	49	20	1	1	1176	1.00	100	100	1.00	1176	20	49	20	1
51	51	20	1	1	0	1.00	100	100	1.00	0	20	51	20	1
53	53	20	1	1	0	1.00	100	100	1.00	0	20	53	20	1
55	55	20	1	1	0	1.00	100	100	1.00	0	20	55	20	1
57	57	20	1	1	0	1.00	100	100	1.00	0	20	57	20	1
59	59	20	1	1	0	1.00	100	100	1.00	0	20	59	20	1
61	61	20	1	1	0	1.00	100	100	1.00	0	20	61	20	1
63	63	20	1	1	0	1.00	100	100	1.00	0	20	63	20	1
65	65	20	1	1	0	1.00	100	100	1.00	0	20	65	20	1
67	67	20	1	1	0	1.00	100	100	1.00	0	20	67	20	1
69	69	20	1	1	0	1.00	100	100	1.00	0	20	69	20	1
71	71	20	1	1	0	1.00	100	100	1.00	0	20	71	20	1

CONNECTED LOAD: PH A VA = 22,448 PH B VA = 15,807 PH C VA = 19,989 TOTAL VA = 58,024

DEMAND LOAD: PH A VA = 23,072 PH B VA = 15,807 PH C VA = 20,312 TOTAL VA = 58,990 TOTAL AMPS = 141.91

NOTES:  
 1. - HIGH LEG, 240V LINE TO GROUND  
 2. ALL DEVICES SHOWN IN LIGHT LINE WEIGHT ARE EXISTING TO REMAIN UNLESS NOTED OTHERWISE. ALL NEW WORK SHOWN IN BOLD.  
 3. RELOCATE EXISTING EQUIPMENT AND CIRCUIT BREAKER TO NEW MOUNTING LOCATION WITHIN PANEL IN ORDER TO CREATE APPROPRIATE MOUNTING SPACES FOR CONNECTION TO NEW EQUIPMENT

### ELECTRICAL LEGEND

NOTE: NOT ALL SYMBOLS ARE NECESSARILY USED ON THIS PROJECT.

GROUNDING DUPLEX RECEPTACLE	DELTA REVISION NOTE
COMBO GROUNDING DUPLEX RECEPTACLE AND USB CHARGING PORT	AREA OF RESCUE COMMUNICATION
GROUNDING SWITCHED DUPLEX/QUAD RECEPTACLE	FIRE ALARM ANNUNCIATOR
GROUNDING SPLIT-WIRED RECEPTACLE	FIRE ALARM PANEL
GROUNDING SINGLE RECEPTACLE	FIRE ALARM ANNUNCIATOR CONTROL PANEL
FOUR PLEX RECEPTACLE	MANUAL PULL STATION
SPECIAL PURPOSE RECEPTACLE SUBSCRIPT AMPACITY	FIRE STROBE
FLOOR MOUNTED SPECIAL PURPOSE RECEPTACLE	FIRE HORN OR SPEAKER WITH STROBE
CLOCK RECEPTACLE	FIRE ALARM HORN & LIGHT
FLOOR MOUNTED RECEPTACLE	FIRE ALARM HORN
FLOOR MOUNTED FOUR PLEX RECEPTACLE	MAGNETIC DOOR HOLDER
POWER ONLY POKE-THRU	FIRE ALARM FLOW SWITCH
MOTOR	FIRE THERMAL DETECTOR
PLUG MOLD	SMOKE DETECTOR
POWER/TELEPHONE POLE	COMBINATION CO-SMOKE DETECTOR
WIRELESS ACCESS POINT	DUCT FIRE DETECTOR (RETURN)
FLOOR MOUNTED TELEPHONE OUTLET	DUCT FIRE DETECTOR (SUPPLY)
FLOOR MOUNTED TELEPHONE/DATA OUTLET	REMOTE INDICATING LIGHT
TELEPHONE/DATA OUTLET	FIRE / SMOKE DAMPER
DATA OUTLET	120V. MOTORIZED SMOKE DAMPER
FLOOR MOUNTED DATA OUTLET	VOLUME CONTROL
SWITCH & RECEPTACLE COMBINATION	MICROPHONE RECEPTACLE
1, 2 OR 3 BUTTON STATION	WALL MOUNTED FIXTURE
TELEVISION OUTLET	RECESSED LIGHT FIXTURE
FLOOR MOUNTED TELEVISION OUTLET	SURFACE MOUNTED LIGHT FIXTURE
JUNCTION BOX	STRIP LIGHT FIXTURE
FLOOR MOUNTED JUNCTION BOX	CEILING FIXTURE
WALL MOUNTED J-BOX	PORCELAIN LAMP HOLDER
BUIZZER	WALL WASH
CHIME	TRACK WITH TRACK HEAD FIXTURE
COMBINATION STARTER/DISCONNECT SWITCH	EMERGENCY FIXTURE - SHADED
EQUIPMENT NON-FUSED DISCONNECT SWITCH	WALL PACK FIXTURE
EQUIPMENT FUSED DISCONNECT SWITCH	SURFACE CEILING FIXTURE
MAGNETIC CONTROLLER (STARTER)	POLE MOUNTED FIXTURE
ELECTRICAL PANELBOARD SURFACE MOUNTING	BATTERY PACK EMERGENCY LIGHT
ELECTRICAL PANELBOARD RECESSED MOUNTING	EXIT LIGHT - SHADED INDICATES FACE
TELEPHONE TERMINAL BOARD	WALL MOUNTED OCCUPANCY SENSOR
RESIDENTIAL COMMUNICATION CENTER	CEILING MOUNTED VACANCY SENSOR
MAIN DISTRIBUTION PANEL	SINGLE POLE SWITCH
PULL BOX	DOUBLE POLE SWITCH
MOTOR CONTROL CENTER	3-WAY SWITCH
METER	4-WAY SWITCH
TRANSFORMER	SWITCH WITH INTEGRATED OCCUPANCY SENSOR
RELAY	WALL MOUNTED VACANCY SENSOR SWITCH
CONTACTOR	SWITCH & PILOT LAMP
SOLENOID VALVE	KEY OPERATED SWITCH
CARD READER	DIMMER SWITCH
SPEAKER - PAGING AND OR SOUND SYSTEM	THERMAL OVERLOAD SWITCH
THERMISTAT	ABOVE FINISH FLOOR
BATTERY	ABOVE COUNTER - VERIFY HEIGHT
PHOTOCELL	ARC-FAULT CIRCUIT INTERRUPTER
CIRCUIT BREAKER	ABOVE COUNTER/GROUND FAULT INTERRUPTING CIRCUIT
BREAKER WITH DRAWOUT FEATURE	E EXISTING TO REMAIN
NORMALLY OPEN CONTACT	EC ELECTRICAL CONTRACTOR
NORMALLY CLOSED CONTACT	EF EXHAUST FAN
POWER TRANSFORMER	ER EXISTING TO BE RELOCATED
CURRENT TRANSFORMER	EX EXISTING TO BE REMOVED
GROUND	EWC ELECTRICAL WATER COOLER
CONDUIT UP	GFCI GROUND-FAULT INTERRUPTING
CONDUIT DOWN	HP HOUSE PHONE
CONDUIT CAP	IH INSTA HOT
CONDUIT CONTINUATION	(P) PARTIAL CIRCUIT USED IN MULTIPLE LOCATIONS
HOMERUN ARROWS	(PART) SAME AS (P)
MECHANICAL EQUIPMENT DESIGNATION	ITB TELEPHONE TERMINAL BOARD
DETAIL NOTE DESIGNATION	UN UNLESS OTHERWISE NOTED
KITCHEN EQUIPMENT DESIGNATION	WG WEATHER PROOF/GROUND FAULT INTERRUPTING
ELECTRICAL WIRE SIZE	WP WEATHER PROOF

### ELECTRICAL CONSTRUCTION SPECIFICATION

- THE CONTRACTOR SHALL PROVIDE ALL LABOR AND MATERIAL NECESSARY FOR A COMPLETE AND FUNCTIONING ELECTRICAL SYSTEM.
- MATERIALS AND INSTALLATION SHALL COMPLY WITH CODES, LAWS AND ORDINANCES OF FEDERAL, STATE AND LOCAL GOVERNING BODIES HAVING JURISDICTION.
- MATERIALS AND EQUIPMENT SHALL BE LISTED AND/OR LABELED BY U.L., ETL, CSA OR ANOTHER RECOGNIZED TESTING LAB.
- THE CONTRACTOR SHALL SECURE AND PAY FOR ALL PERMITS, GOVERNMENTAL FEES, TAXES AND LICENSES NECESSARY FOR THE PROPER EXECUTION AND COMPLETION OF THE ELECTRICAL WORK.
- THE CONTRACTOR SHALL PREPARE AND SUBMIT TO GOVERNMENTAL AGENCIES AND UTILITY COMPANIES SHOP DRAWINGS, WHICH ARE REQUIRED BY THESE AGENCIES, FOR THEIR APPROVAL.
- THE CONTRACTOR SHALL NOTIFY THE ARCHITECT/ENGINEER/OWNER OF ANY MATERIALS OR APPARATUS BELIEVED TO BE INADEQUATE, UNSUITABLE, IN VIOLATION OF LAWS, ORDINANCES, RULES OR REGULATIONS OF AUTHORITIES HAVING JURISDICTION.
- THE CONTRACTOR SHALL PREPARE AND SUBMIT TO THE FIRE PREVENTION BUREAU THE DOCUMENTS, INCLUDING DRAWINGS, REQUIRED TO OBTAIN APPROVAL OF EMERGENCY LIGHTING AND EXIT SIGN TYPES AND LOCATIONS. A COPY OF THE APPROVED DRAWINGS SHALL BE PROVIDED TO THE ARCHITECT BEFORE THE START OF CONSTRUCTION.
- THE CONTRACTOR SHALL PREPARE THE DOCUMENTS, INCLUDING DRAWINGS, REQUIRED TO OBTAIN APPROVAL OF THE EQUIPMENT AND LOCATIONS OF THE DEVICES THAT COMPRISE THE BUILDING FIRE ALARM LIFE SAFETY SYSTEM. A COPY OF THE DRAWINGS AND CUT SHEETS SHALL BE PROVIDED TO THE ENGINEER FOR REVIEW AND APPROVAL. THE APPROVED DRAWINGS WILL BE STAMPED, SIGNED AND RETURNED TO E.C. TO SUBMIT TO THE BUILDING DEPARTMENT.
- THE CONTRACTOR SHALL CAREFULLY EXAMINE THE CONTRACT DOCUMENTS, VISIT THE SITE, AND THOROUGHLY BECOME FAMILIAR WITH THE BUILDING STANDARDS AND LOCAL CONDITIONS RELATING TO THE WORK. FAILURE TO DO SO WILL NOT RELIEVE THE CONTRACTOR OF THE OBLIGATIONS OF THE CONTRACT.
- THE CONTRACTOR SHALL PROVIDE TEMPORARY POWER AND WIRING FOR THE PERFORMANCE OF ALL TRADES, FOR THE ENTIRE PERIOD OF CONSTRUCTION AND SHALL REMOVE ALL TEMPORARY WIRING AT THE COMPLETION OF CONSTRUCTION.
- THE EXISTING POWER, SIGNAL, AND COMMUNICATION SYSTEMS ARE TO REMAIN IN SERVICE TO PROVIDE FOR THE OWNER'S FUNCTION. SHOULD IT BECOME NECESSARY TO SHUT-DOWN ANY SYSTEM OR PORTION OF A SYSTEM, APPROVAL IN WRITING MUST BE OBTAINED FROM THE OWNER AND SHALL ONLY FOR THE PERIOD AND TIME AGREED UPON. THE BID IS TO INCLUDE THE COST OF ANY TEMPORARY WIRING AND PREMIUM TIME REQUIRED FOR THE SHUTDOWN.
- ALL MATERIALS, AND EQUIPMENT SHALL BE ERRECTED, INSTALLED, CONNECTED, CLEANED, ADJUSTED, TESTED, CONDITIONED, AND PLACED IN SERVICE IN ACCORDANCE WITH THE MANUFACTURER'S DIRECTIONS AND RECOMMENDATIONS. THIS INCLUDES ANY EXISTING MATERIALS OR EQUIPMENT THAT IS USED.
- ALL CUTTING, DRILLING AND PATCHING OF MASONRY, STEEL OR IRON WORK BELONGING TO THE BUILDING MUST BE DONE BY THIS CONTRACTOR IN ORDER THAT HIS WORK MAY BE PROPERLY INSTALLED, BUT UNDER NO CONDITIONS MAY STRUCTURAL WORK BE CUT, EXCEPT AT THE DIRECTION OF THE ARCHITECT-DESIGNER OR THEIR REPRESENTATIVE.
- REFER TO ARCHITECTURAL DRAWINGS FOR EXACT LOCATIONS AND MOUNTING HEIGHTS OF ELECTRICAL EQUIPMENT.
- THE CONTRACTOR SHALL VERIFY THE CEILING TYPE BEFORE ORDERING LIGHTING FIXTURES.
- ALL MATERIAL, EQUIPMENT, WIRING DEVICES, ETC. SHALL BE NEW, UNLESS SPECIFICALLY INDICATED AS EXISTING TO BE REUSED.
- EXCEPT AS NOTED OTHERWISE, ALL WORK REQUIRED FOR THE INSTALLATION AS SHOWN ON DRAWINGS INCLUDING LABOR, EQUIPMENT AND MATERIALS SHALL BE IN STRICT COMPLIANCE WITH THE BUILDING STANDARDS.
- PROVIDE COMPLETE METAL RACEWAY SYSTEMS AND ENCLOSURES FOR ALL WIRING THROUGHOUT THE EXTENT OF THE REQUIRED SYSTEM.
- ELECTRICAL METALLIC TUBING (EMT) SHALL BE USED FOR ALL WALL OUTLETS & TELEPHONE OUTLETS RUNNING IN PARTITIONS, BELOW RAISED FLOOR OR ABOVE CEILINGS. EMT FITTINGS SHALL BE OF THE STEEL COMPRESSION TYPE, EXCEPT THAT SET SCREW FITTINGS MAY BE USED IN WALL PARTITIONS. CONDUITS LARGER THAN 2" DIAMETER OR CONDUITS OF ANY SIZE ROUTED OUTDOORS SHALL BE INTERMEDIATE METAL CONDUIT (IMC), CAST OR INDICATOR TYPE FITTINGS ARE NOT ALLOWED. FLEMUM RATED TELEPHONE AND LOW VOLTAGE CONDUCTORS MAY RUN EXPOSED ABOVE GRID CEILING IN A CABLE SUPPORT SYSTEM, UNLESS NOTED OTHERWISE INDICATED ON PLANS.
- MC CABLE SHALL BE PERMITTED ONLY IF BUILDING STANDARDS AND AUTHORITY HAVING JURISDICTION ALLOW. USE OF MC CABLE SHALL COMPLY WITH REQUIREMENTS AND LIMITATIONS DESCRIBED BY THE MOST CURRENT APPLICABLE N.E.C.
- MINIMUM CONDUIT SIZE SHALL BE 1/2 INCH UNLESS OTHERWISE INDICATED.
- FLEXIBLE CONDUIT CONNECTIONS TO RECESSED LIGHTING FIXTURES SHALL BE MADE WITH FLEXIBLE STEEL CONDUIT, 3/8 INCH MINIMUM.
- WIRE NO. 8 AND SMALLER FOR USE IN INTERIOR DRY LOCATIONS SHALL BE TYPE THWN/THHN THERMOPLASTIC 600 VOLT INSULATED COPPER CONDUCTORS. FEEDERS AND POWER WIRING NO. 6 OR LARGER SHALL BE TYPE THWN 600 VOLT INSULATED COPPER. WIRE WHICH IS INSTALLED IN RACEWAYS IN MOIST OR DAMP LOCATIONS SHALL BE TYPE XHHW, 600 VOLT INSULATED COPPER CONDUCTORS. NO WIRE SMALLER THAN NO. 12 AWG SHALL BE USED FOR LIGHTING OR POWER WIRING. WIRE NO. 10 AND SMALLER MAY BE SOLID OR STRANDED, WIRE NO. 8 AND LARGER SHALL BE STRANDED.
- ALL NEW CIRCUIT BREAKERS FOR NEW OR EXISTING PANELBOARDS SHALL MATCH EXISTING BUILDING PANELBOARD MANUFACTURER AND BREAKER TYPE. THE CONTRACTOR SHALL PROVIDE NEW TYPE WRITTEN PANEL DIRECTORIES FOR ALL NEW PANELS CHANGED.
- EACH SWITCH, LIGHT, RECEPTACLE AND OTHER MISCELLANEOUS DEVICE SHALL BE PROVIDED WITH A GALVANIZED OR SHERARDIZED PRESSED STEEL OUTLET BOX OF THE KNOCKOUT TYPE, OF NOT LESS THAN NO. 14 U.S. GAUGE STEEL. CONDUITS SHALL BE FASTENED WITH LOCKNUTS AND BUSHINGS AND ALL UNUSED KNOCKOUTS MUST BE LEFT SEALED. THERE MUST BE SUFFICIENT ROOM FOR WIRES AND BUSHINGS AND DEEP BOXES SHALL BE INSTALLED WHERE REQUIRED. BOXES SHALL BE SECURELY AND ADEQUATELY SUPPORTED.
- ELECTRICAL CONTRACTOR SHALL PROVIDE ALL SPECIAL OUTLET BOXES THAT MAY BE REQUIRED TO ENCLOSE RECEPTACLES.
- IN SUSPENDED CEILINGS SUPPORT CONDUIT AND JUNCTION BOXES DIRECT FROM THE STRUCTURAL SLAB, DECK, OR FRAMING PROVIDED FOR THAT PURPOSE. LIGHTING BRANCH CIRCUIT CONDUITS SHALL NOT BE CLIPPED TO THE CEILING SUPPORT WIRES OR SPLINE UNLESS THE CEILING SYSTEM HAS BEEN SPECIFICALLY DESIGNED FOR THAT PURPOSE.
- WHERE FLOOR FITTINGS REQUIRE PENETRATION OF THE FLOOR SLAB, THEY SHALL BE STANDARD DEVICE LISTED BY UL FOR THE PURPOSE AND HAVE A UL FIRE RATING EQUAL TO THE FLOOR RATING.
- CONTRACTOR SHALL WIRE TO, SET AND CONNECT ALL MOTORS, CONTROLS AND EQUIPMENT. FINAL CONNECTIONS TO MOTORS SHALL BE MADE WITH LIQUID TIGHT FLEXIBLE STEEL CONDUIT, 1/2 INCH MINIMUM.
- PROVIDE LOCAL DISCONNECT SWITCHES FOR ALL MOTORS (PLENUM APPROVED AND REQUIRED).
- NUMBERED CIRCUITS AND RACEWAY ROUTINGS ARE FOR CONVENIENCE OF DESIGN ONLY. ACTUAL FIELD CONDITIONS WILL VARY. INDICATE THE CIRCUIT NUMBER USED ON THE "AS-BUILT" DRAWINGS.
- G.C. SHALL INCLUDE IN HIS COST THE REMOVAL OF ALL EXISTING ELECTRICAL DEVICES, CONDUITS, FIXTURES AND OTHER EQUIPMENT. DISCARD ALL EQUIPMENT AS REQUIRED. E.C. SHALL BE RESPONSIBLE FOR DISCONNECTING PRIMARY SERVICE AND TEMPORARY POWER.
- CONTRACTOR SHALL COORDINATE WITH MECHANICAL AND PLUMBING DRAWINGS, AND INFORM ARCHITECT/ENGINEER OF ANY CONFLICTS.
- ALL ELECTRICAL DEVICES SHALL MEET ADA REQUIREMENTS.
- CONTRACTOR SHALL ENSURE ORIGINAL CIRCUIT INTEGRITY IS MAINTAINED WHEREVER A DEVICE IS REMOVED, RELOCATED OR RE-CIRCUITED. ORIGINAL CIRCUIT INTEGRITY SHALL BE MAINTAINED BOTH UP AND DOWN STREAM OF THE DEVICE.
- CONTRACTOR SHALL REMOVE ALL DEENERGIZED OR UNUSED CIRCUIT WIRING UNLESS INDICATED OTHERWISE ON PLANS.
- SUBMIT (4) COPIES OF THE FOLLOWING SHOP DRAWINGS FOR REVIEW.  
 A. LIGHTING FIXTURES AND LAMPS.  
 B. WIRING DEVICES, SWITCHES, AND DEVICE PLATES.  
 C. PROVIDE "AS-BUILT" DRAWINGS AND SUBMIT TO ARCHITECT/DESIGNER.
- SHOP DRAWINGS SHALL INCLUDE MANUFACTURER'S NAMES, CATALOG NUMBERS, CUTS, DIAGRAMS AND OTHER SUCH DESCRIPTIVE DATA AS MAY BE REQUIRED TO IDENTIFY AND REVIEW THE EQUIPMENT. SUBMITTALS SHALL BE IN LOGICAL GROUPS, FOR EXAMPLE, ALL LIGHTING FIXTURES, PARTIAL SUBMITTALS WILL NOT BE REVIEWED.

### LUMINAIRE SCHEDULE

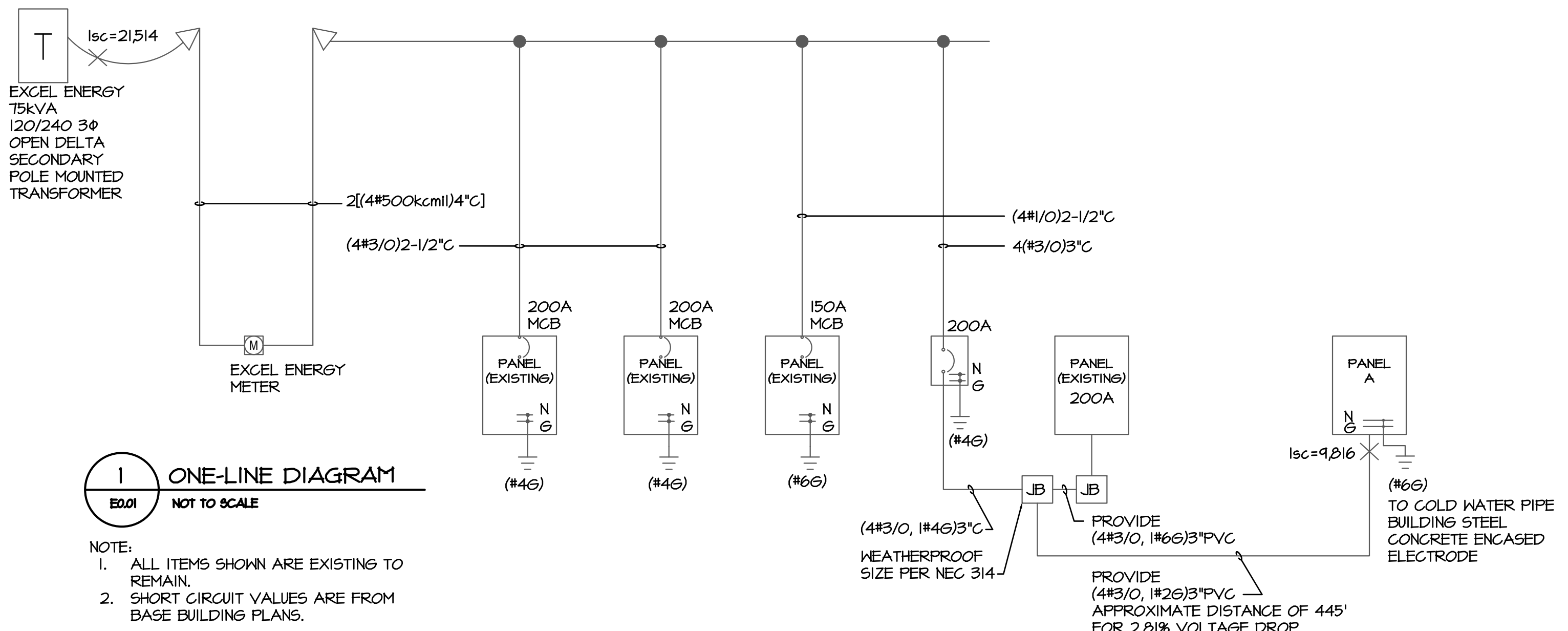
KEY	DESCRIPTION	MFR. & CAT. NO.	LAMP	VOLTS	MOUNTING INFORMATION	NOTE	MAX WATT
F3	HEAVY DUTY INDUSTRIAL STRIP WITH BAKED ENAMEL FINISH AND WIRE GUARD	LITHONIA UN 3 32 120 GEB10RS WZ2UN	(2) F32 T8	120	SURFACE UNLESS NOTED		64
EM	BATTERY BACKED EMERGENCY EGRESS	LITHONIA ELM2	SUPPLIED WITH UNIT	120	SURFACE		20
X	LIGHTED EXIT SIGN	LITHONIA LQM S W * G 120/277 EL N	SUPPLIED WITH UNIT	120/277	UNIVERSAL		2 5

NOTES:  
 1. SUSPEND TO +10'-6" AFF UNLESS NOTED OTHERWISE.  
 2. --: FACES AND ARROWS AS SHOWN ON THE PLANS

### EQUIPMENT SCHEDULE

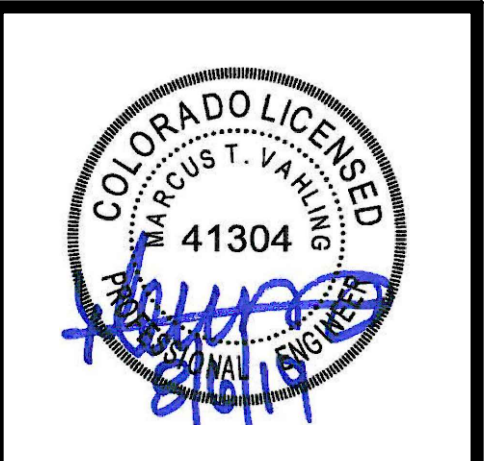
KEY	EQUIPMENT	LOAD		VOLTS	Ø	BRANCH CKT. CONDUCTORS	COND.	DISCONNECT		PANEL	NOTES
		HP	KW					FLA	SWITCH		
AC-1	AIR CONDITIONER INDOOR UNIT	1 A		240	1	2#12, 1#12G.	1/2"	\$TO		A	
CF-1	CIRCULATION FAN	58 W		120	1	2#12, 1#12G.	1/2"	\$TO		A	2
CU-1	CONDENSING UNIT OUTDOOR UNIT	10.4 A		240	1	2#12, 1#12G.	1/2"	\$TO		A	
UH-1	UNIT HEATER	3.3 KW		240	1	2#12, 1#12G.	1/2"	\$TO		A	

NOTES:  
 1. UNIT INTEGRAL DISCONNECT IS ACCEPTABLE, COORDINATE WITH MECHANICAL CONTRACTOR.  
 2. UNIT IS INSTALLED IN MULTIPLE LOCATIONS, SEE PLANS FOR CIRCUITING.



**OZ ARCHITECTURE**

3003 Larimer Street  
 Denver, Colorado 80205  
 phone 303.861.5704  
 www.ozarch.com



**CITY OF WHEATRIDGE  
 POLICE EVIDENCE STORAGE BUILDING  
 11220 W. 45TH AVE.  
 WHEATRIDGE, COLORADO**

PROJ. NO. 2017-039-00  
 DRAWN: NMG  
 CHECKED: MTV  
 APPROVED: MTV  
 DATE: 07/21/2017  
 REVISIONS  
 ELEC REVISIONS 08/06/2019 Δ

© OZ ARCHITECTURE

WHEATRIDGE POLICE EVIDENCE STORAGE  
 ISSUED FOR:  
 PERMIT

SHEET TITLE:  
 ELECTRICAL LEGEND  
 AND NOTES

SCALE: NONE  
 SHEET NUMBER  
**E0.01**

CONSULTING INC  
 4640 PECOS STREET, UNIT F DENVER, COLORADO, 80211  
 303.325.9271





3003 Larimer Street  
 Denver, Colorado 80205  
 phone 303.861.5704  
 www.ozarch.com



**CITY OF WHEATRIDGE  
 POLICE EVIDENCE STORAGE BUILDING  
 11220 W. 45TH AVE.  
 WHEATRIDGE, COLORADO**

PROJ. NO. 2017-039-00  
 DRAWN: NMG  
 CHECKED: MTV  
 APPROVED: MTV  
 DATE: 07/21/2017  
 REVISIONS  
 ELEC REVISIONS 08/06/2019 Δ

© OZ ARCHITECTURE

WHEATRIDGE POLICE  
 EVIDENCE STORAGE  
 ISSUED FOR:  
 PERMIT

SHEET TITLE:  
 LEVEL 2 ELECTRICAL  
 PLAN

SCALE: NONE  
 SHEET NUMBER

**E1.01**



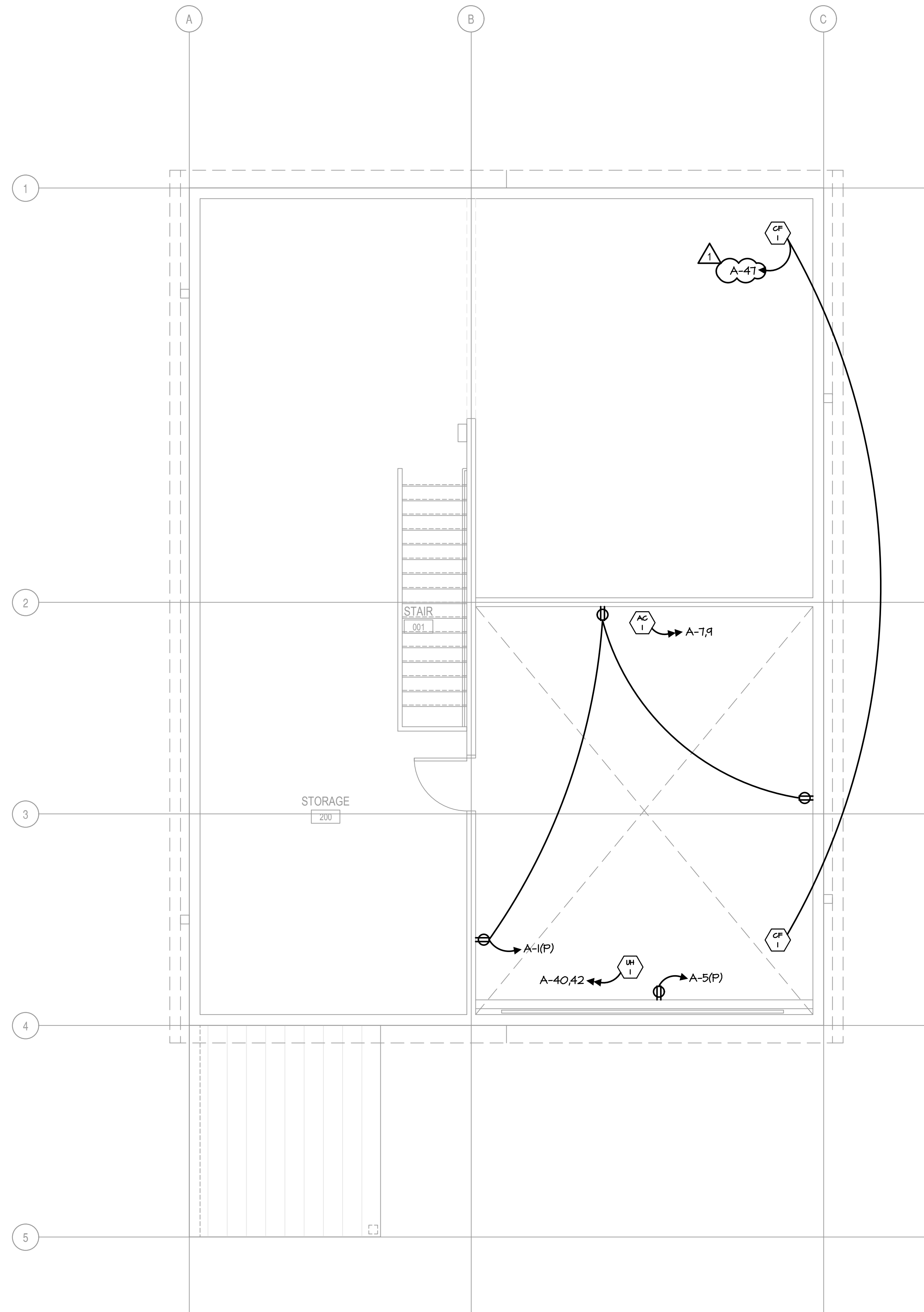
4640 PECOS STREET, UNIT F DENVER, COLORADO, 80211  
 303.325.3271

**GENERAL NOTES**

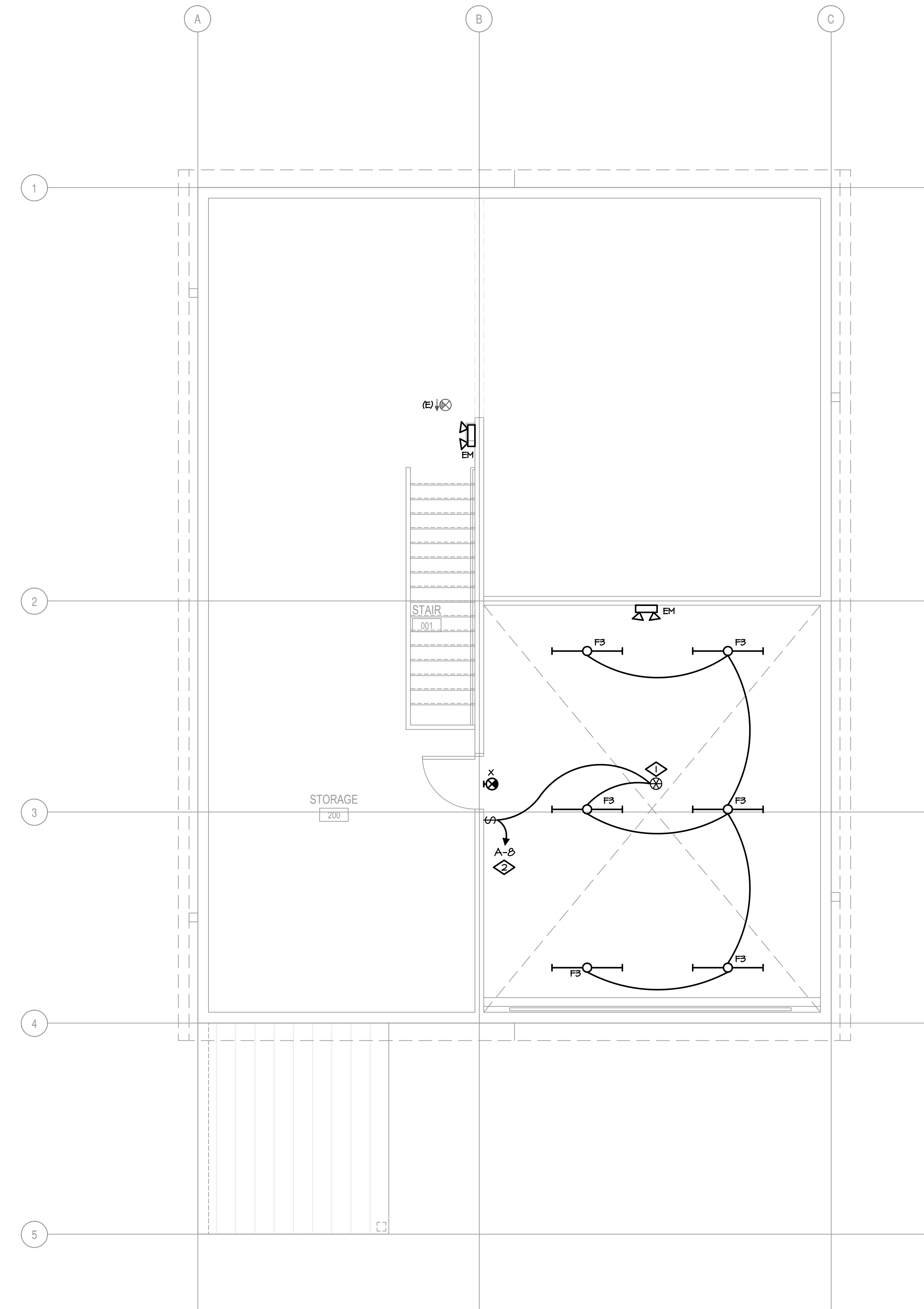
1. CIRCUIT ALL EMERGENCY LIGHTING AND EXIT SIGNS TO THE NEAREST LIGHTING CIRCUIT AHEAD OF SWITCH LEG.

**DETAIL NOTES**

1. CEILING MOUNTED OCCUPANCY SENSOR WIRED AHEAD OF LOCAL WALL SWITCH.
2. CONNECT NEW STORAGE ROOM STRIP LIGHT FIXTURES TO EXISTING LIGHTING CIRCUIT, A-8.



**1** LEVEL 2 POWER PLAN  
 SCALE: 1/4" = 1'-0"



**1** LEVEL 2 LIGHTING PLAN  
 SCALE: 1/4" = 1'-0"

J:\2017\2017-039-00\Cad\Elec\E1.01.dwg nickg 08.06.19 12:02 pm